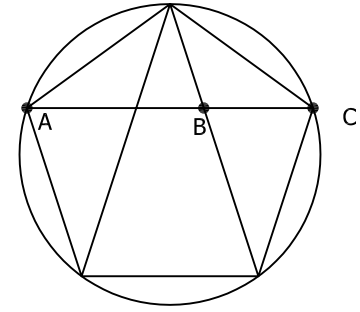
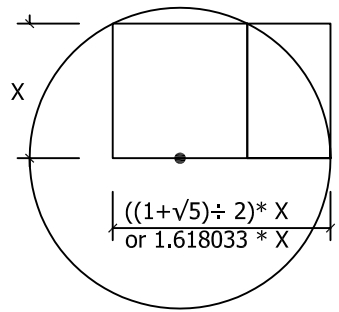
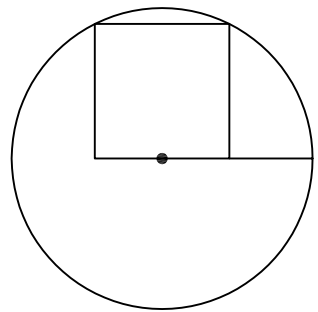
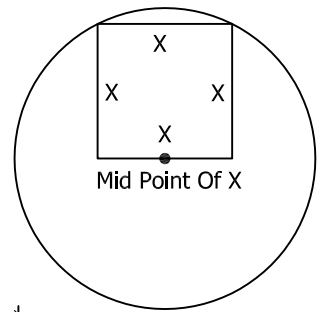
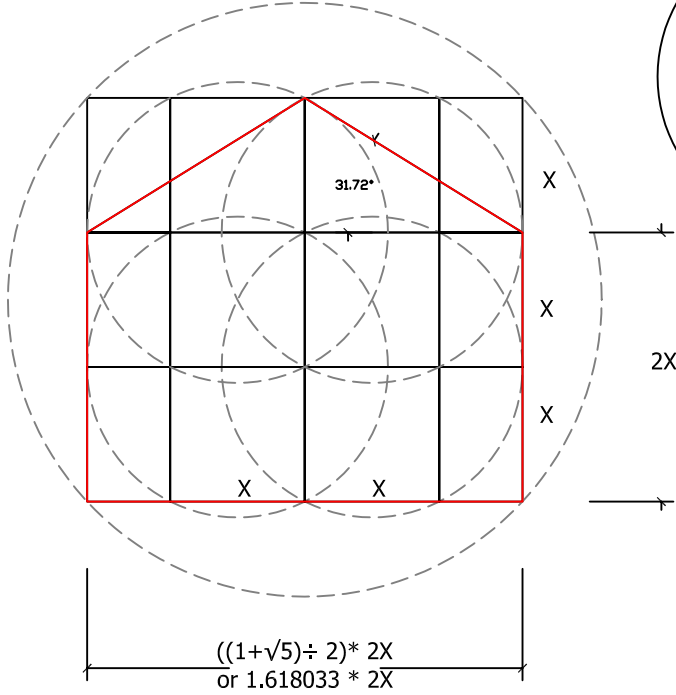
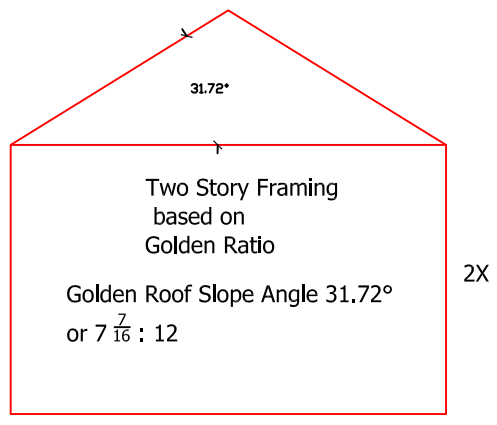


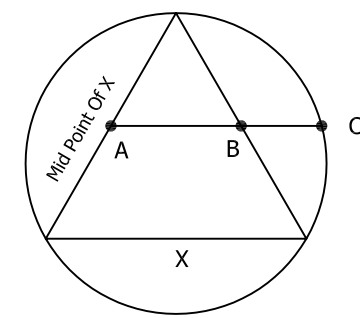
Golden Ratio phi Geometry
 based on Square
 $\phi = ((1+\sqrt{5}) \div 2) = 1.618033988749895$



Golden Ratio Geometry
 based on pentagon
 inscribed in circle.
 $AB * 1.618 = AC$



$((1+\sqrt{5}) \div 2) * 2X$
 or $1.618033 * 2X$



Golden Ratio Geometry
 based on equilateral triangle
 inscribed in circle.
 $AB * 1.618 = AC$